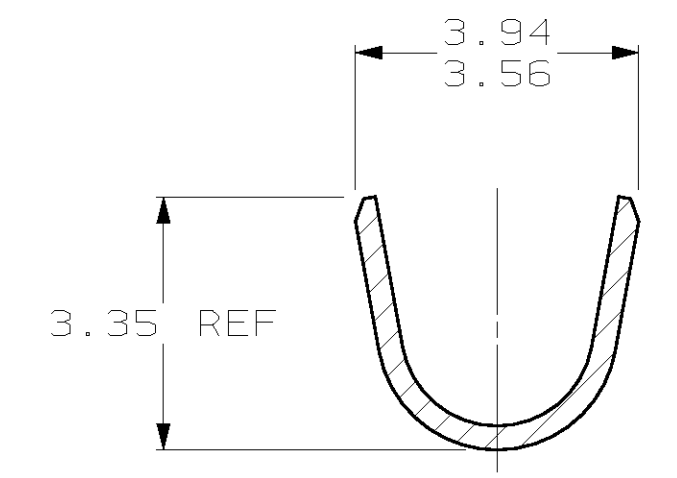
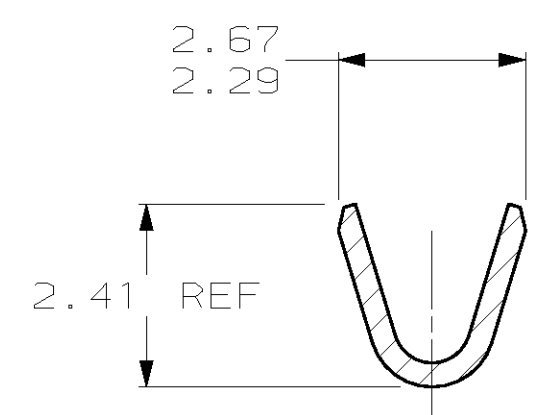
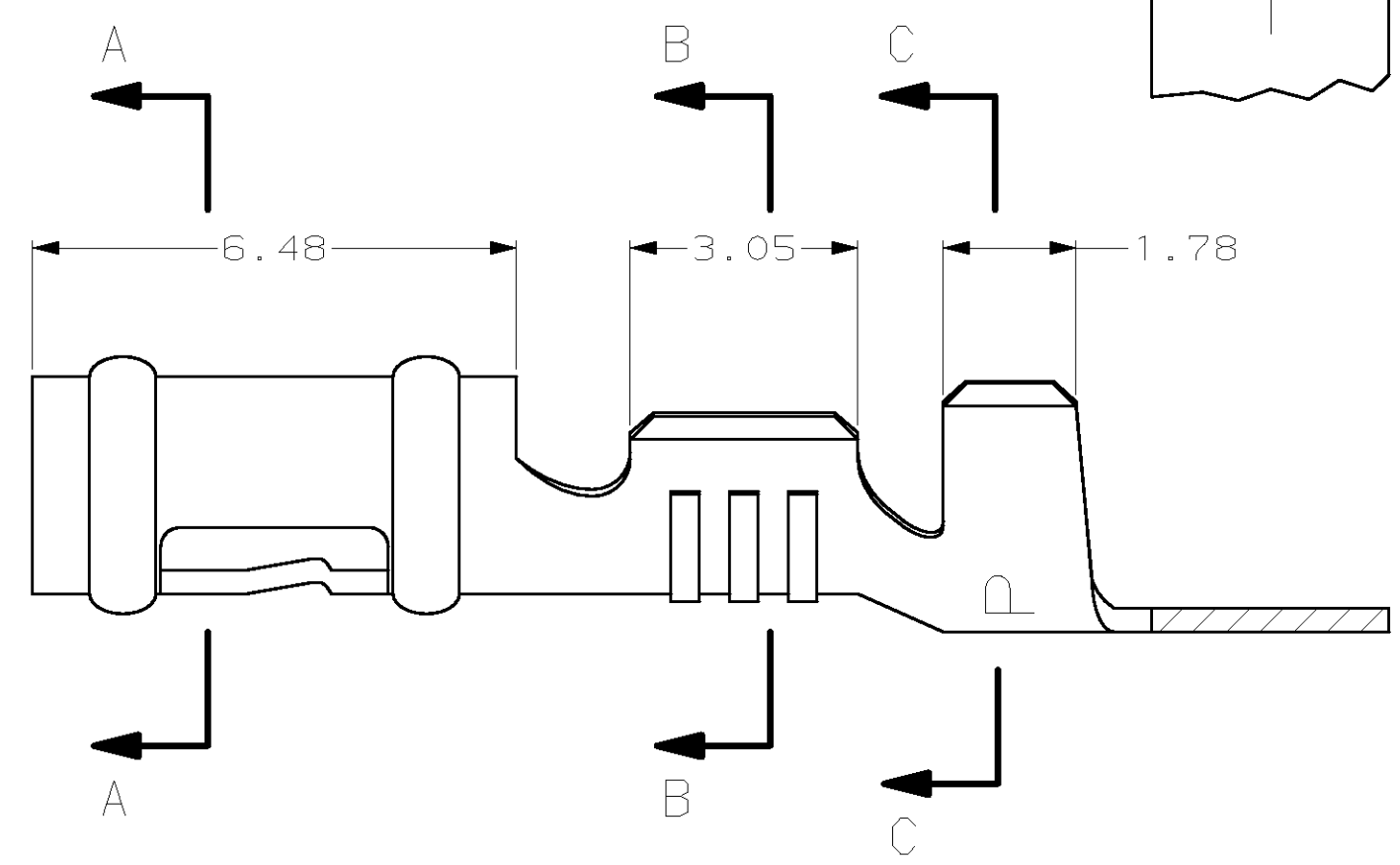
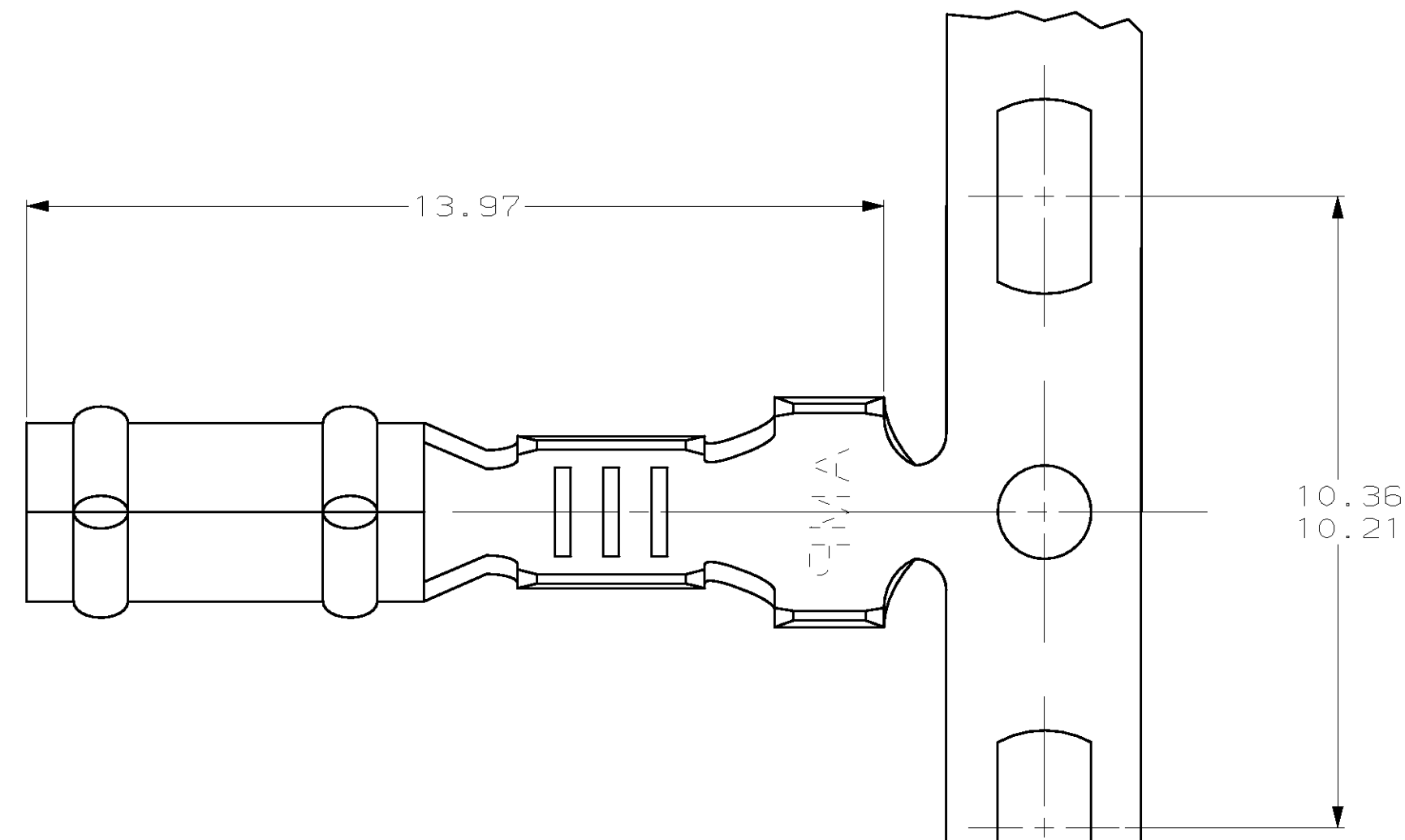


THIS DRAWING IS UNPUBLISHED. RELEASED FOR PUBLICATION .19
 (C) COPYRIGHT 19 BY AMP INCORPORATED. ALL RIGHTS RESERVED.

LOC		DIST		REVISIONS			
P	LTR	DESCRIPTION	DATE	DWN	APVD		
CM	52	L	REV PER EC 061B-0242-98	20-JAN-99	JH	RS	

1. WIRE RANGE: 0.3 - 0.9 MM² (22 - 18 AWG)
2. INSULATION RANGE: 1.52 - 2.79
3. REVERSE REEL OF PART NUMBER 61291-5.



61291-5
 61291-1
 PART NUMBER

MM	IN	MM	IN	MM	IN	MM	IN
2.29	.090	3.05	.120	10.21	.402	-	-
1.78	.070	2.79	.110	6.48	.255	-	-
1.52	.060	2.67	.105	3.94	.155	-	-
0.32	.013	2.41	.095	3.56	.140	13.97	.550
0.13	.005	2.36	.093	3.35	.132	10.36	.408
MM	IN	MM	IN	MM	IN	MM	IN

CONVERSION TABLE

METRIC

THIS DRAWING IS A CONTROLLED DOCUMENT.		DWN	T. BECK	6-16-97	AMP Incorporated Harrisburg, PA 17105-3608	
DIMENSIONS: mm		CHK	R. SWING	6-16-97		
TOLERANCES UNLESS OTHERWISE SPECIFIED:		APVD	A. BEDDICK	8-22-97		
0 PLC ± 1 PLC ± 2 PLC ±0.13 3 PLC ± 4 PLC ± ANGLES ±		PRODUCT SPEC	108-1025			
MATERIAL		APPLICATION SPEC	114-1008		NAME	RECEPTACLE, .093 DIAMETER, 22-18 AWG, .060-.110 INSULATION, P.C. CONTACT
FINISH		WEIGHT	-		SIZE	A2
0.32 PH BRZ		PRE TIN	CUSTOMER DRAWING		CAGE CODE	00779
					DRAWING NO	61291
					RESTRICTED TO	-
					SCALE	10:1
					SHEET	1 OF 1
					REV	L